

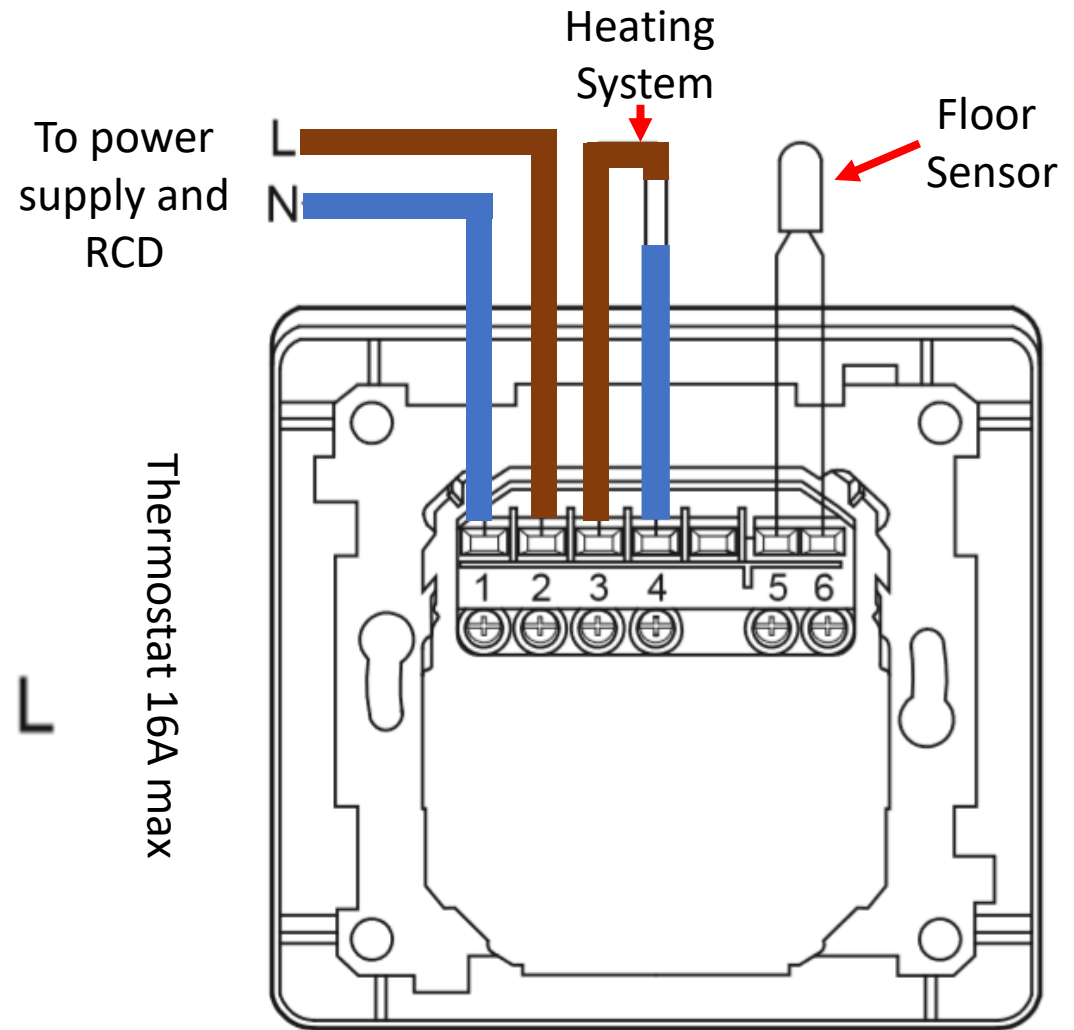
THERMOSTAT CONNECTIONS



MWD5



MCD5



Note:

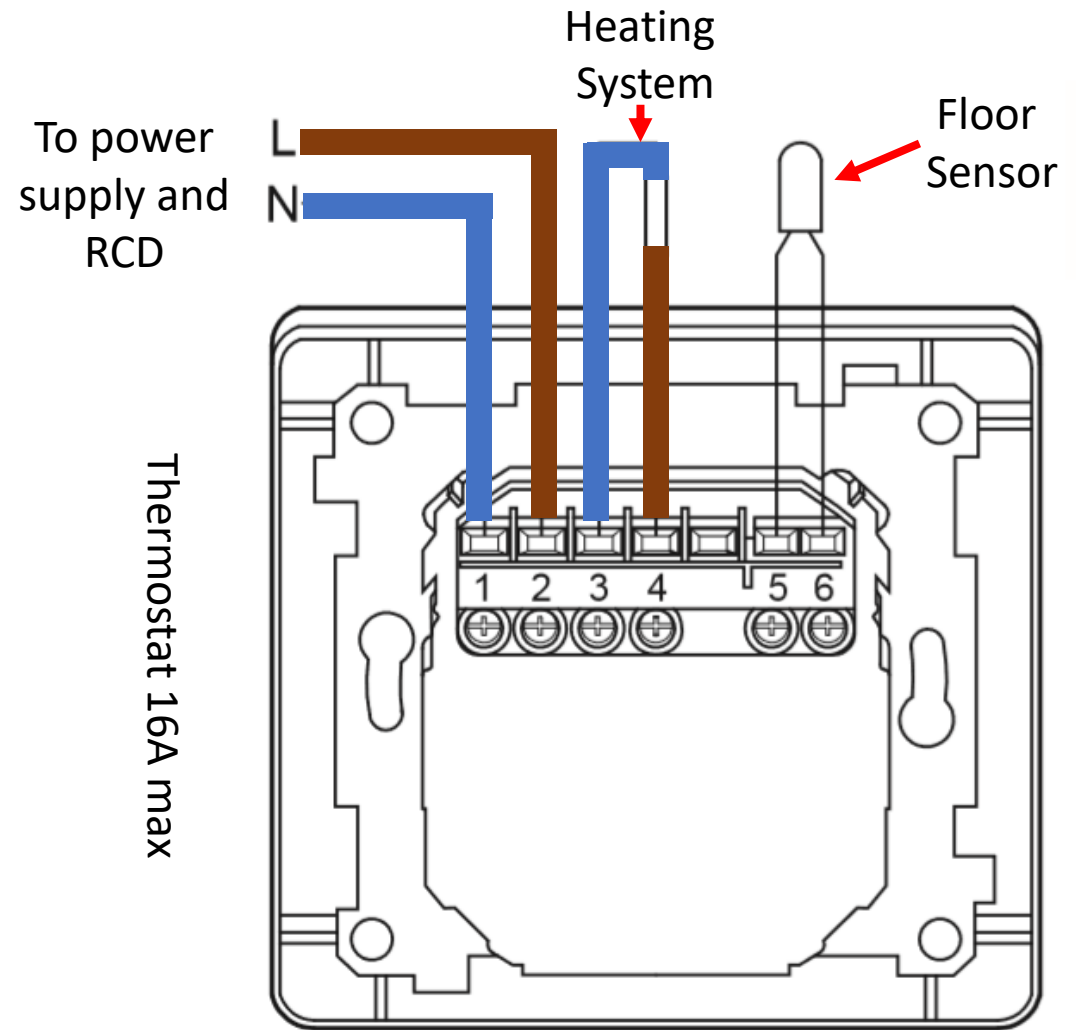
- #1 Circuits must be protected by a RCD (safety switch) 30mA
- #2 All earth wires must be connected together & earthed.

- Terminal 1: **neutral** from power supply
- Terminal 2: **live/active** from power supply
- Terminal 3: **live/active** from floor heating cold-tail
- Terminal 4: **neutral** from floor heating cold-tail
- Terminal 5: Floor Sensor (no polarity)
- Terminal 6: Floor Sensor (no polarity)

THERMOSTAT CONNECTIONS



MCD4



- Terminal 1: **neutral** from power supply
- Terminal 2: **live/active** from power supply
- Terminal 3: **neutral** from floor heating cold-tail
- Terminal 4: **live/active** from floor heating cold-tail
- Terminal 5: Floor Sensor (no polarity)
- Terminal 6: Floor Sensor (no polarity)

Note:
#1 Circuits must be protected by a RCD (safety switch) 30mA
#2 All earth wires must be connected together & earthed.

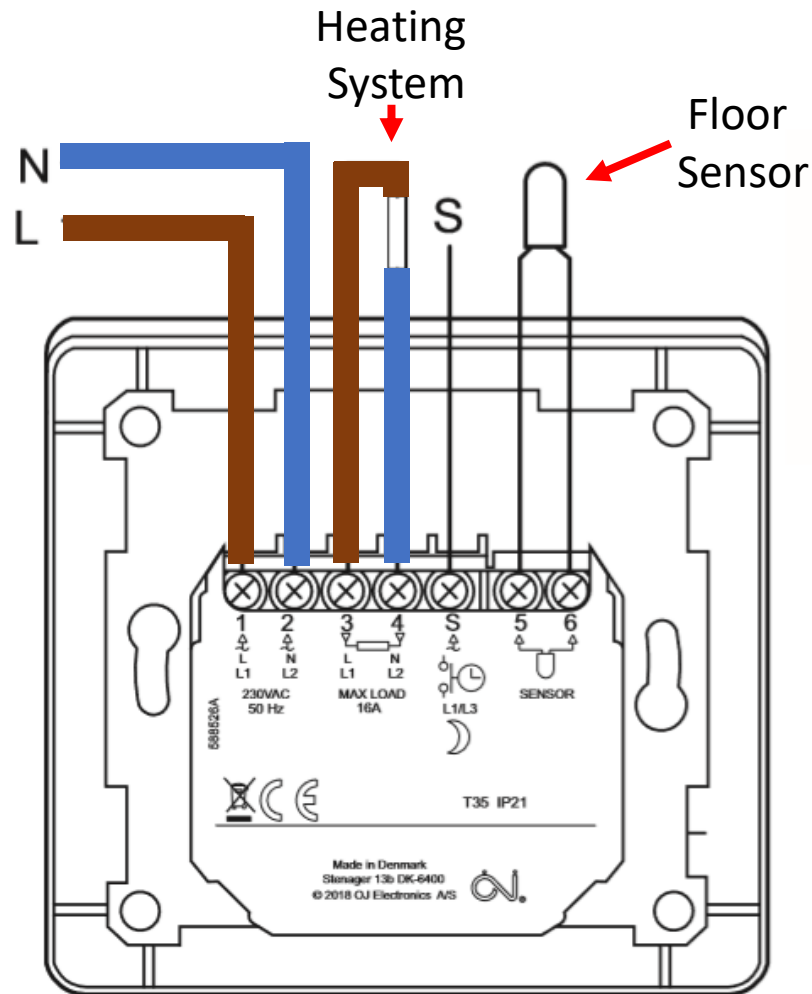
THERMOSTAT CONNECTIONS



MTD 3

To power supply and RCD

Thermostat 16A max



- Terminal 1: **live/active** from power supply
- Terminal 2: **neutral** from power supply
- Terminal 3: **live/active** from floor heating cold-tail
- Terminal 4: **neutral** from floor heating cold-tail
- Terminal 5: Floor Sensor (no polarity)
- Terminal 6: Floor Sensor (no polarity)

Note:

- #1 Circuits must be protected by a RCD (safety switch) 30mA
- #2 All earth wires must be connected together & earthed.

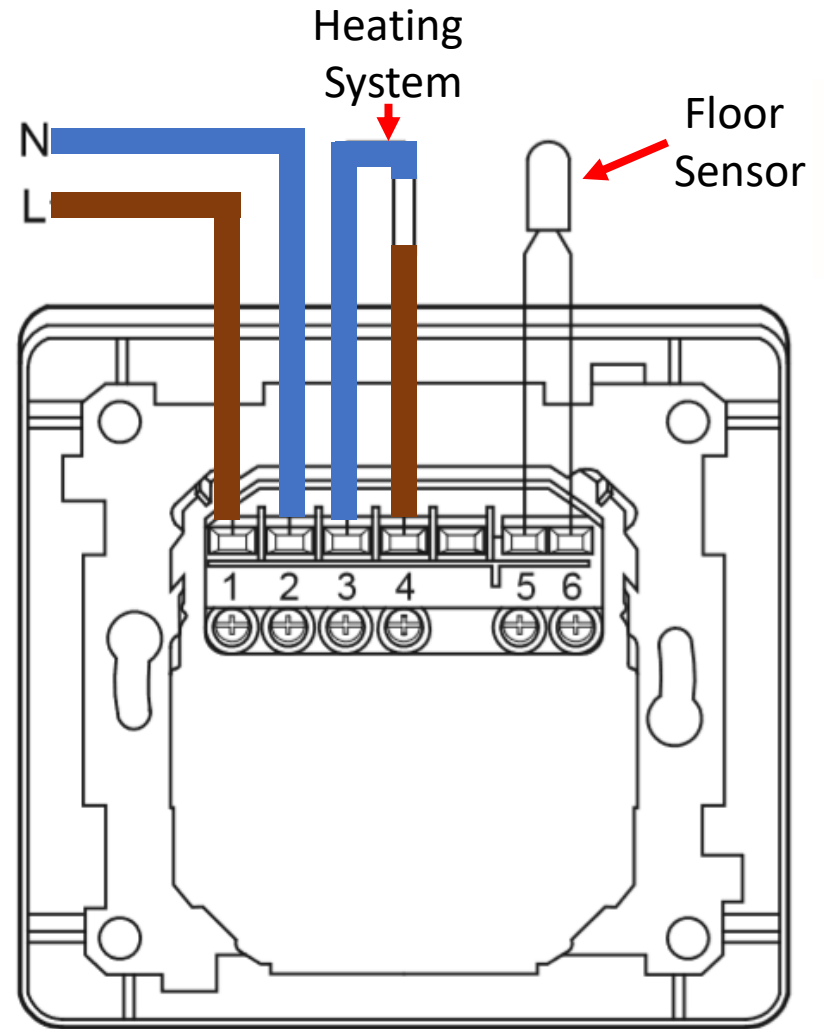


THERMOSTAT CONNECTIONS



CB SMART

To power supply and RCD



Thermostat 16A max

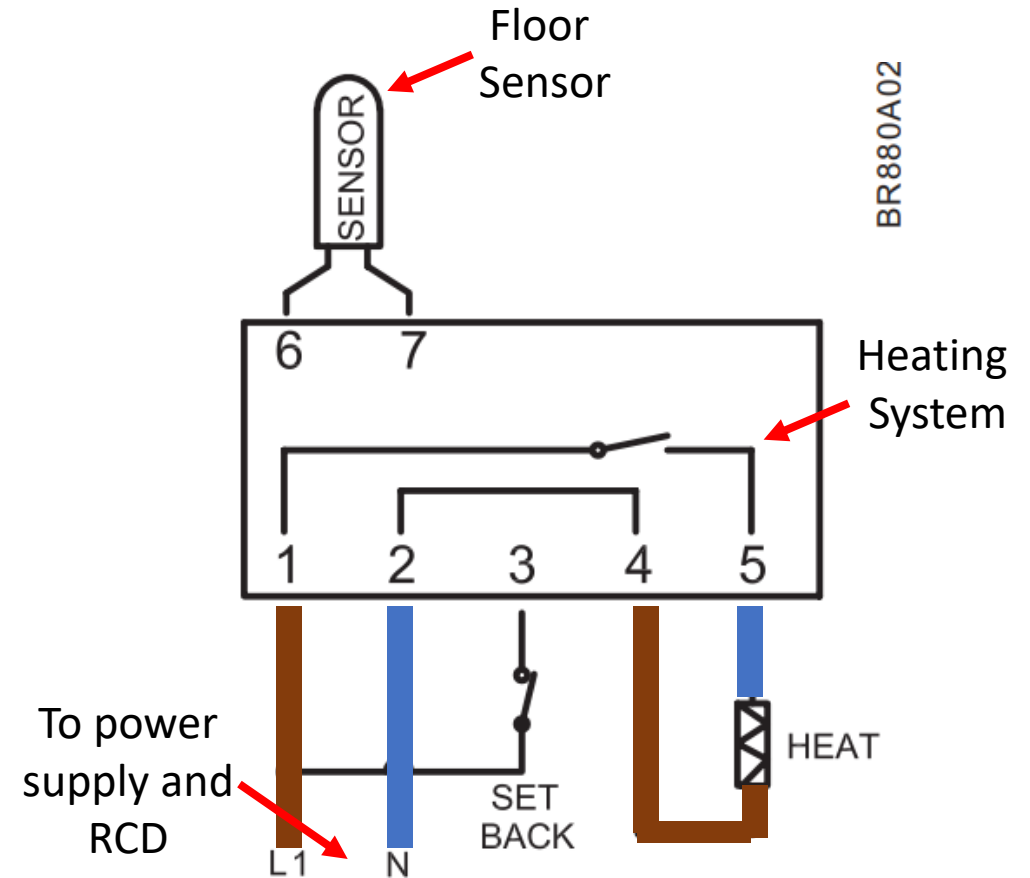
- Terminal 1: **live/active** from power supply
- Terminal 2: **neutral** from power supply
- Terminal 3: **neutral** from floor heating cold-tail
- Terminal 4: **live/active** from floor heating cold-tail
- Terminal 5: Floor Sensor (no polarity)
- Terminal 6: Floor Sensor (no polarity)

Note:
#1 Circuits must be protected by a RCD (safety switch) 30mA
#2 All earth wires must be connected together & earthed.

THERMOSTAT CONNECTIONS



ETV



- Terminal 1: **live/active** from power supply
- Terminal 2: **neutral** from power supply
- Terminal 3: set-back/for remote control timer if used
- Terminal 4: **live/active** from floor heating cold-tail
- Terminal 5: **neutral** from floor heating cold-tail
- Terminal 6: Floor Sensor (no polarity)
- Terminal 7: Floor Sensor (no polarity)

Note:
#1 Circuits must be protected by a RCD (safety switch) 30mA
#2 All earth wires must be connected together & earthed.